

**Feature :**


- Small size
- Bi-color LED illuminated available
- Long electrical life cycles

**Application :**

- Consumer products
- Computer products
- Instrumentation
- Communication equipments



SWITCH SPECIFICATIONS	
POLE - POSITION	Momentary action , SPST
CONTACT RATING	20 V DC , 1 mA
CONTACT RESISTANCE	200Ω MAX. 5 V DC ; 1 mA , by Method of Voltage DROP
INSULATION RESISTANCE	100 MΩ MIN. 100 V DC for 1 minute
DIELECTRIC STRENGTH	Breakdown is not Allowable ; 250 V AC for 1 Minute
OPERATING FORCE	60 ± 20 gf
OPERATING LIFE	500,000 cycles
OPERATING TEMPERATURE RANGE	-40°C ~ 85°C
TOTAL TRAVEL	1.3 ± 0.1 mm

LED SPECIFICATIONS								
ATTENTION LEDs are Electrostatic Sensitive devices 	Unit	Value / LED Color						
		Blue	Pure Green	Red	Yellow	Orange	Green	White
LUMINOUS INTENSITY@20mA Iv	mcd	80	150	220	180	320	50	450
Dominant Wavelength λD	nm	465	525	630	590	601	567	/
FORWARD VOLTAGE@20mA Vf	V	3.3	3.2	1.95	2	2.1	2.1	3.3

■ A single bin cannot be ordered, please contact us in advance if you need a particular bin sorting before placing your order to clarify the lead time, MOQ and pricing

**HOW TO ORDER**

TC019 - **N** (NON-LOCK) **1** (POLE) **1** (POSITION) **A** (TERMINAL TYPE) **S** (SQUARE FRAME)

See page 230,231



**DIFFUSER PLATE COLOR**

W	WHITE (std.)
R	RED
G	GREEN
B	BLUE
Y	YELLOW

**CAP COLOR**

T	TRANSPARENT
S	SILVER

**CAP SYMBOL**

K3		PK3:Printing K3:Laser carving
E1		PE1:Printing E1:Laser carving
□		WITHOUT

**LED BRIGHTNESS**

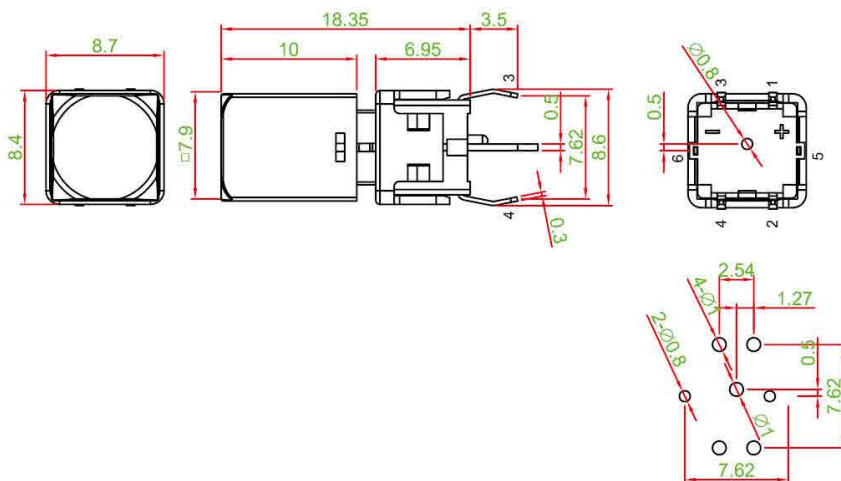
U	ULTRA (std.)
X	WITHOUT

**LED COLOR**

B	BLUE
G	GREEN
R	RED
W	WHITE
Y	YELLOW
X	WITHOUT

**DIMENSION**

• TC019-N11ASWT □□□□



**CIRCUIT**

